

235 Series - Adjustable Current Sensor

SPDT, 10 Amp



The 235 series current sensor combines solid state circuitry with a SPDT, 10 relay. Knob adjustable user settings detect AC current levels generally ranging from 1.5 to 15 amps. Quick connect terminals are standard with socket or side mounting. Custom ranges and voltages are available.

GENERAL SPECIFICATIONS (@ 25° C)

Sensing:

Current Sense Range	1.5 to 15 Amp
Repeatability (Constant voltage and temperature)	2%
Reset Time maximum	150mS

Contacts:

Contact Configuration	SPDT
Contact Material	Silver Alloy
Contact Rating	
120VAC Resistive	10 Amp
28VDC Resistive	6 Amp
Motor 120VAC	1/3Hp
Motor 240VAC	1/2Hp
Minimum Contact Load	500mW
Contact Resistance, Initial	100 milliohms max @ 6VDC

Coil:

Coils Available	AC
Power Consumption	2VA
Input Voltage Tolerance - AC	85% to 110% of nominal
Transient Protection	Yes
Reverse Polarity Protection	N/A
Duty	Continuous

Dielectric Strength:

Across Open Contacts	500Vrms
Between Mutually Insulated Points	1500Vrms
Insulation Resistance	1,000 Mohms min @ 500VDC

Temperature:

Operating	-20 to 55°C (-4 to 131°F)
Storage	-40 to 85°C (-40 to 185°F)

Life Expectancy:

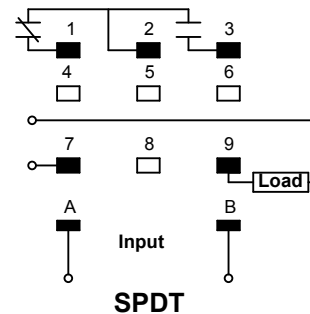
Electrical (full load operations)	200,000
Mechanical (no load operations)	5,000,000

Miscellaneous:

Mounting Position	Any
Mating Socket	SK-SQB11-DS
Enclosure	Opaque Polycarbonate
Weight	4.4oz (125 grams)



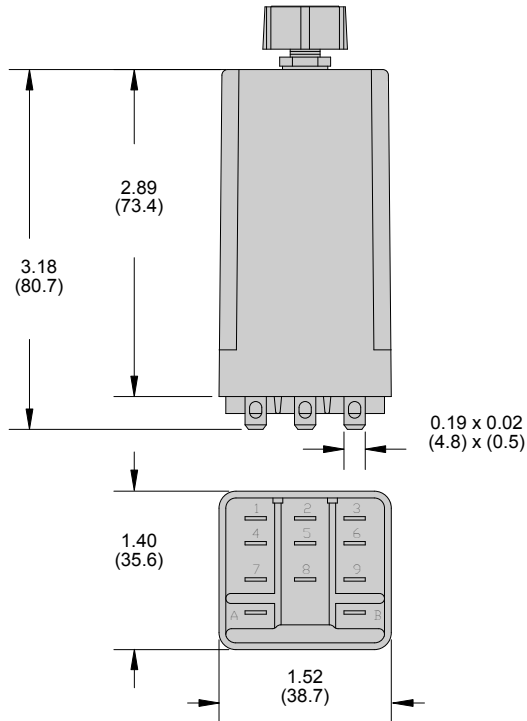
235 Wire Diagram



Timer / Sensor - Current Sensing Relay 10 Amp

Outline Dimensions

Dimensions Shown in inches & (millimeters)



Section 7

235 Part Number Chart

Part Number	Nominal input voltage	Current range	Terminal size	Socket mountable
235ACX-2	120VAC	1.5 to 15 Amps	.250 (6.3)	No
235ACX-3	120VAC	1.5 to 15 Amps	.187 (4.7)	Yes

Terminal size in inches & (millimeters)